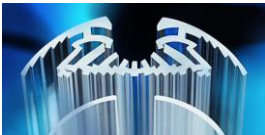




scannerprofile with flexible  
ABS/TPU-connection



## Flexible ABS/TPU-connection

Prominently displayed product information for customers on the front and quickly available bar codes for the retailer on the back - no problem with our flexible ABS/TPU-connection!

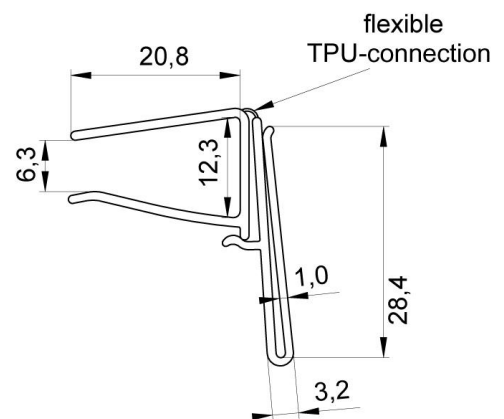
### Properties of ABS:

- High contact transparency
- High impact strength
- High quality, matt, scratch resistant surface
- High UV stability
- Resistant against many chemicals

### Advantages:

- ABS and TPU are non halogen plastics in comparison to PVC
- High cohesiveness between ABS and TPU  
→ long life hinge joint  
→ can be opened and shut more than 1 million times

### Example of use - scanner profile PKS 28



PKS 28 is available as standard profile, which can be purchased against a minimum quantity. Also we can offer your individual version as a special profile.

We are looking forward to receiving your inquiry!



BWF Kunststoffe GmbH & Co. KG  
Bahnhofstraße 20  
89362 Offingen  
Germany  
Telephone +49-8224-71-0  
Telefax +49-8224-71-2145  
info@bwf-profiles.de  
www.bwf-profiles.com